

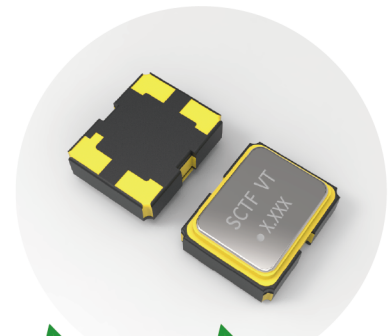
1T/1VT Series TCXO/VC-TCXO Crystal Oscillator

Feature

- Ceramic Surface Mount Package
- Output Type: Clipped Shine Wave
- Voltage Control Function Available
- Fundamental Crystal Design
- RoHS Compliant / Pb Free

Applications

- GPS
- Wireless Communications
- Test Equipment
- Networking systems
- Industrial control & automation



Frequency Stability & Operating Temperature Range

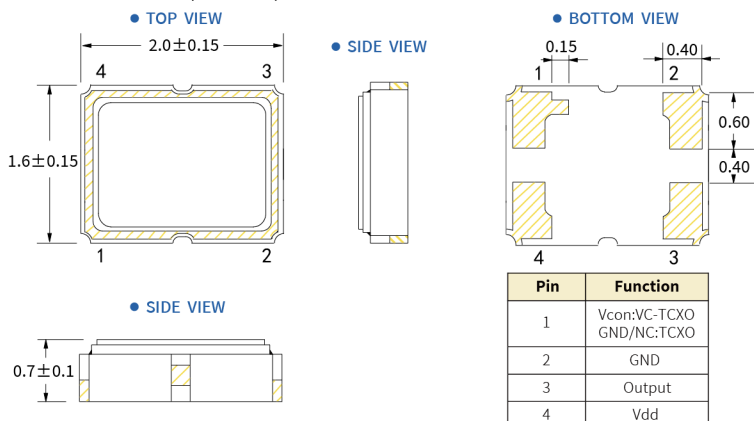
Temp.	FT	±0.5ppm	±1.0ppm	±1.5ppm	±2.0ppm	±2.5ppm
-20°C to +70°C	★	★	★	★	★	★
-30°C to +85°C	★	★	★	★	★	★
-40°C to +85°C	★	★	★	★	★	★

★: Available △: Conditional

Electrical Specifications

Item	Symb.	Min.	Typ.	Max.	Unit	Notes
Frequency Range	Freq.	10		52.000	MHz	
Operating Temperature	T_use	-20		70	°C	
		-30		85	°C	
		-40		85	°C	
Storage Temperature Range	T_stg	-55		125	°C	
Supply Voltage	Vdd	1.8		3.3	V	±5% max.
Output Waveform		Clipped Sine Wave				
Frequency Tolerance	Fo_tol			±2	ppm	T_use=25±2 °C
Frequency Vs Temperature Change	Fo_Tc	±0.5		±2.5	ppm	T_use=-40°C~+85 °C Based on frequency at +25°C
Frequency vs Load Change	Fo_Load			±0.2	ppm	±10% load change
Frequency vs Voltage Change	Fo_Vdd			±0.2	ppm	Voltage varied ±5% at 25°C
Current Consumption	Icc			2	mA	
Center Voltage(VC-TCXO)	Vcont		1.4		V	
Control Voltage Range(VC-TCXO)	Vc	0.4		2.4	V	
Frequency Pulling Range(VC-TCXO)	PR	±8		±15	ppm	
Linearity(VC-TCXO)	L		10		%	
Duty Cycle	SYM	40		60	%	Ground level
Output Level	Vp-p	0.8			V	
Harmonics				-5.0	dBc	
Output Load	Load	10KΩ//10pF				
Start-up Time	T_str			2	mS	
Phase Noise				-130	dBc/Hz	Offset:1KHz
				-152	dBc/Hz	Offset:100KHz
Aging	f_age			±1	ppm	1st. Year at 25°C

Dimensions (UNIT:mm)



Solder pad layout (UNIT:mm)

